

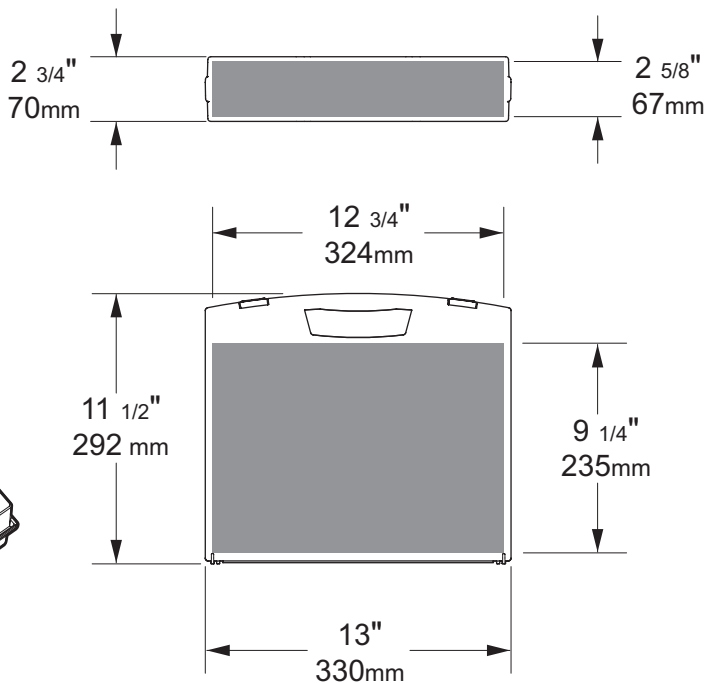
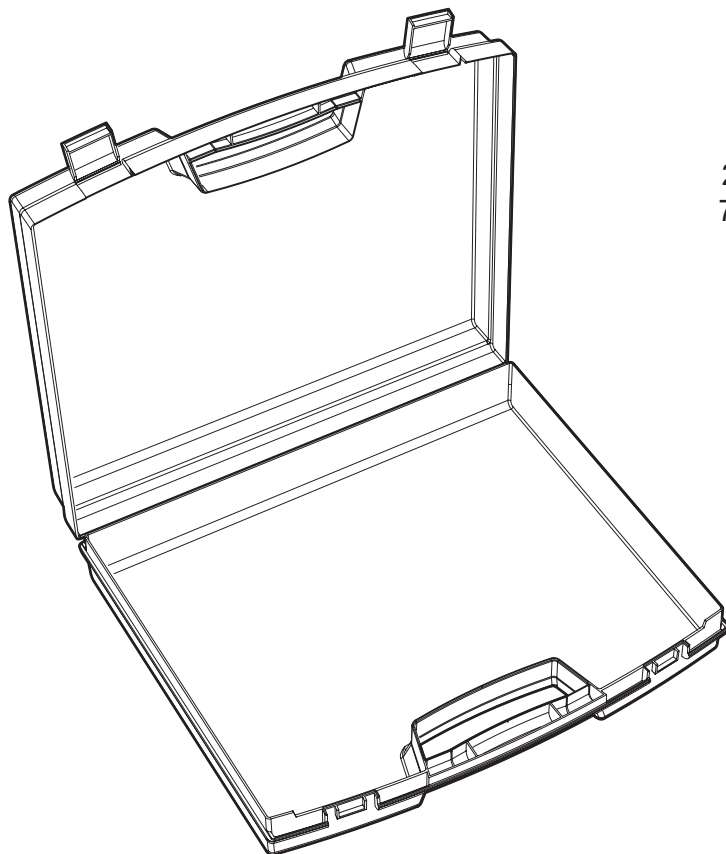
Standard features:

- durable living hinge latches and main hinge
- maximized interior space
- A4 format (US letter)



Technical specifications:

- Material:** polypropylene
- Unit weight:** 0.94 lbs (0.425 kg)
- Qty per pack:** 24 units
- Pack weight:** 26 lbs (5.91 kg)
- Pack volume:** 6.3 cu. ft (0.18 m³)
- Colors available:** 001-Black
035-Blue
036-Yellow
038-Red
058-Graphite
065-Navy



interior net usable space =