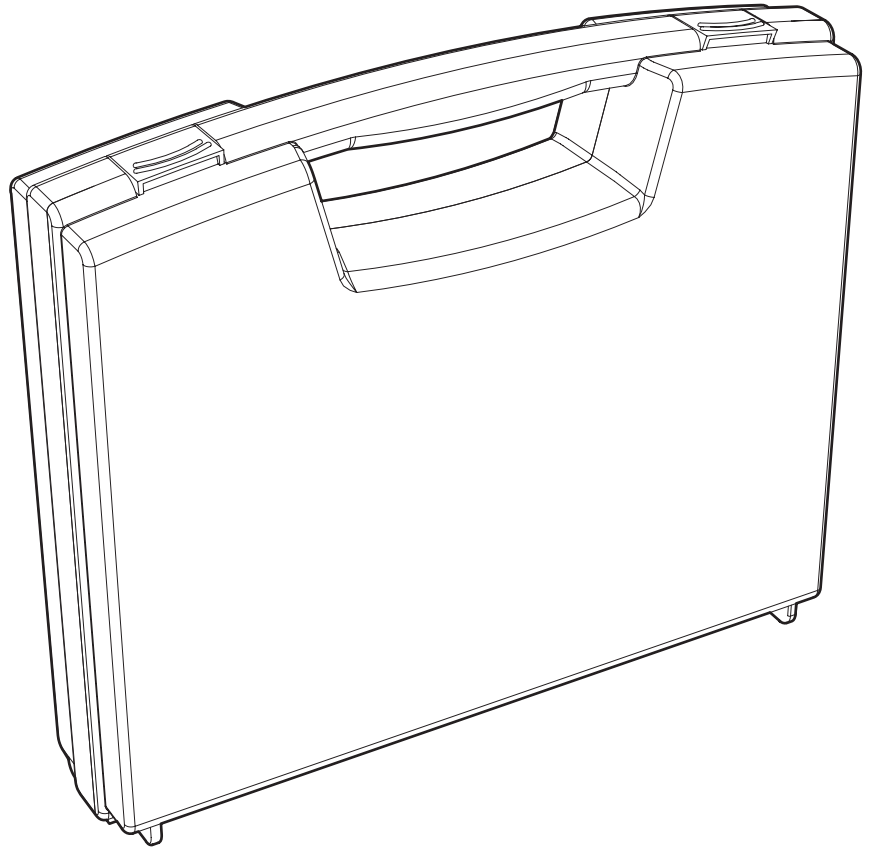


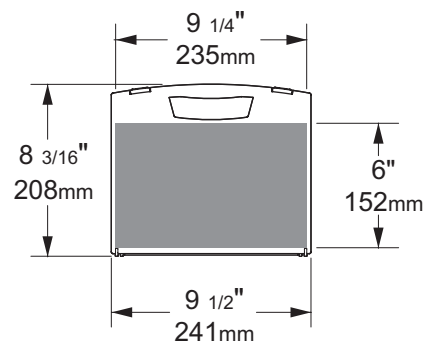
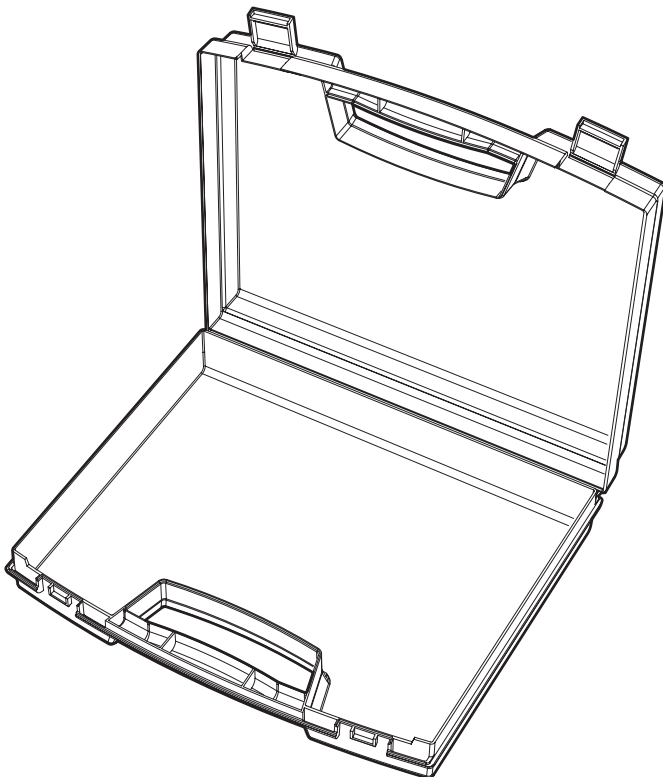
Standard features:

- durable living hinge latches and main hinge
- maximized interior space
- A5 format



Technical specifications:

- Material:** polypropylene
- Unit weight:** 0.44 lbs (0.2 kg)
- Qty per pack:** 36 units
- Pack weight:** 18 lbs (8.18 kg)
- Pack volume:** 4.1 cu. ft (0.119 m³)
- Colors available:** 001-Black
035-Blue
036-Yellow
038-Red
058-Graphite
065-Navy



interior net usable space =