

Standard features:

- sturdy nylon latches (2)
- metal core hinges (2)

Technical specifications:

Material: polypropylene

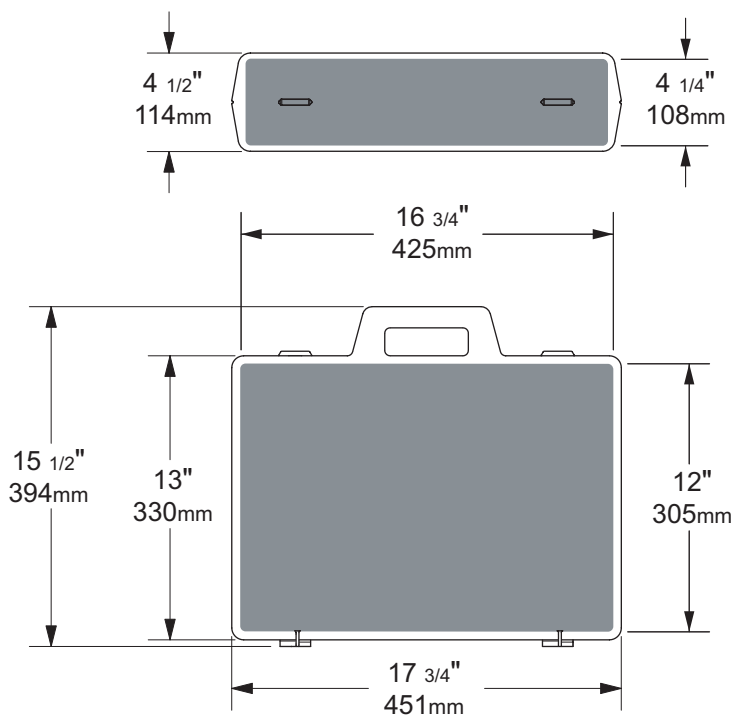
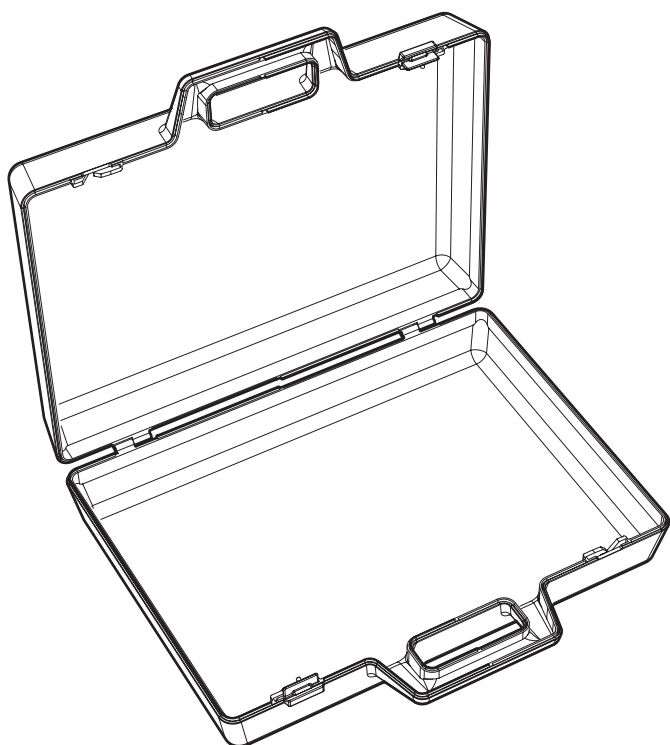
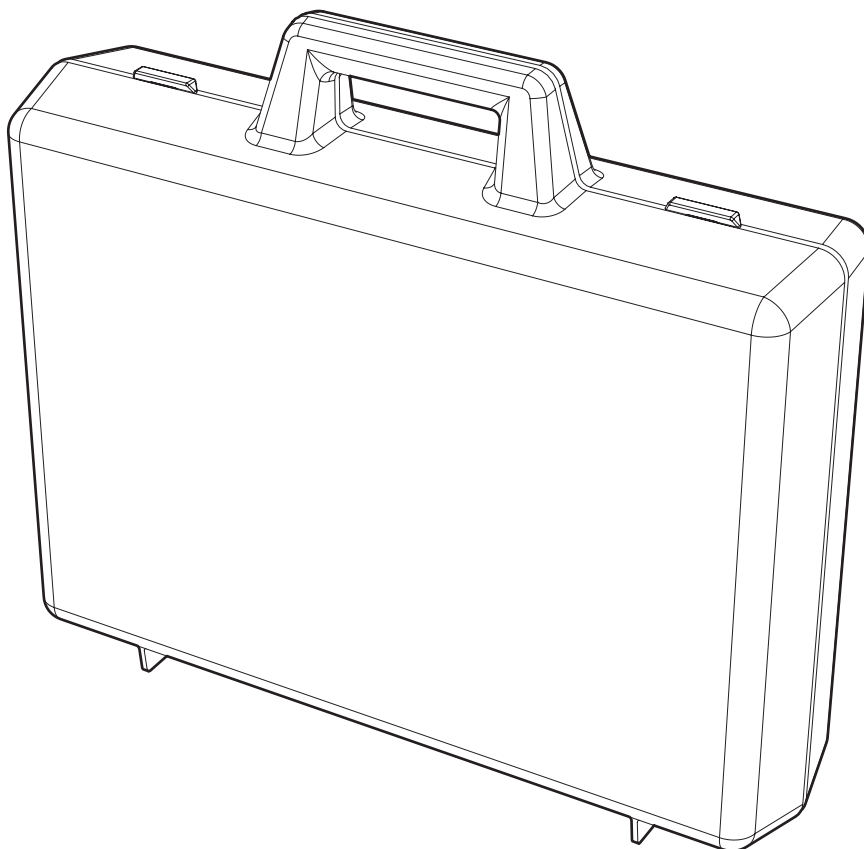
Unit weight: 2.59 lb (1.18 kg)

Qty per pack: 8 units

Pack weight: 25 lbs (11.35 kg)

Pack volume: 5.2 cu. ft (0.148 m³)

Colors available: 001-Black
035-Blue
050-Mercury
058-Graphite
065-Navy



interior net usable space =