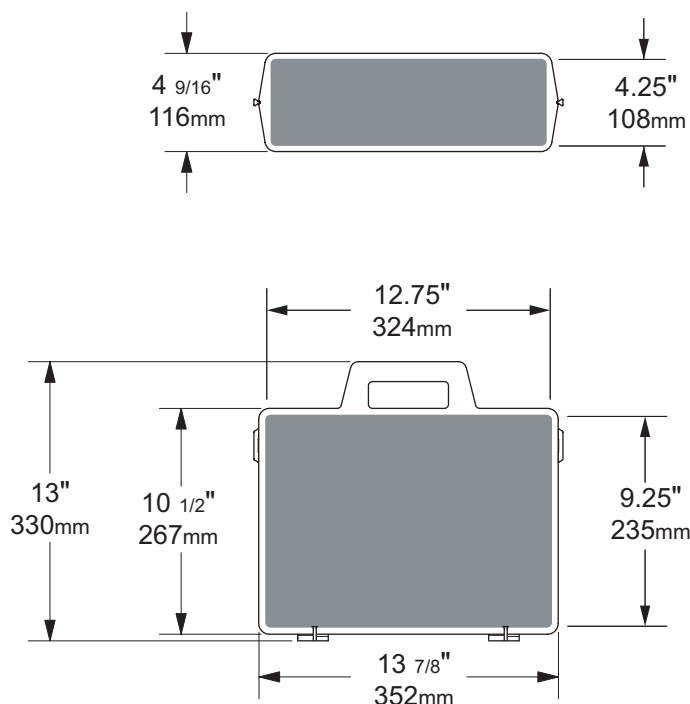
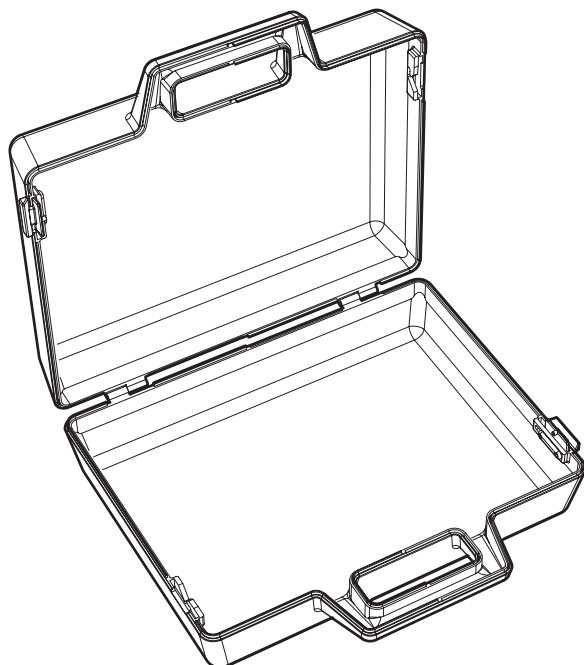
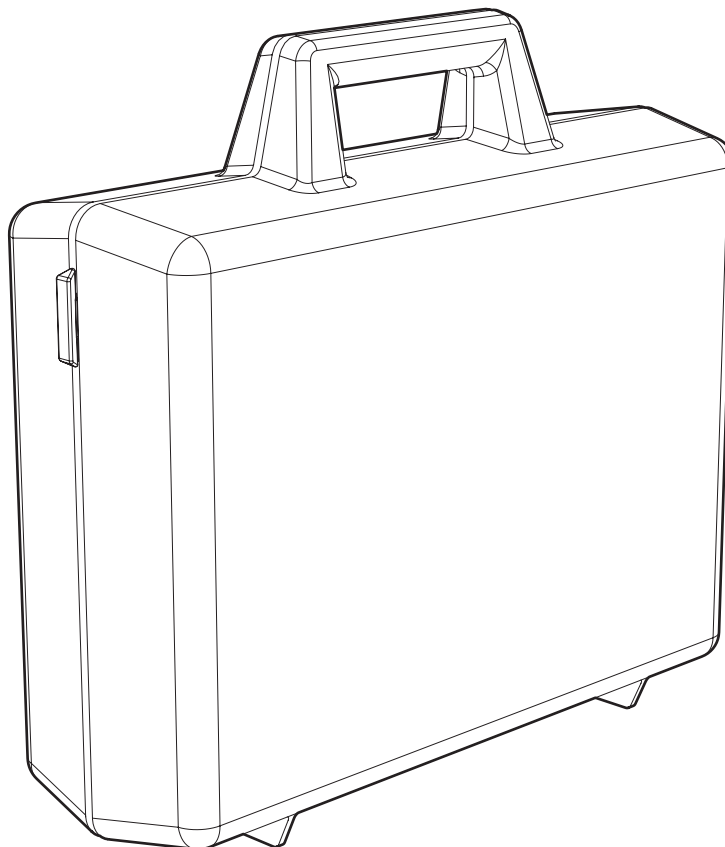


Standard features:

- sturdy nylon latches (2)
- metal core hinges (2)

Technical specifications:

- Material:** polypropylene
- Unit weight:** 1.67 lb (0.76 kg)
- Qty per pack:** 10 units
- Pack weight:** 25 lbs (11.33 kg)
- Pack volume:** 4.86 cu. ft (0.138 m³)
- Colors available:** 001-Black
002-White
035-Blue
038-Red
050-Mercury
058-Graphite
065-Navy



interior net usable space =