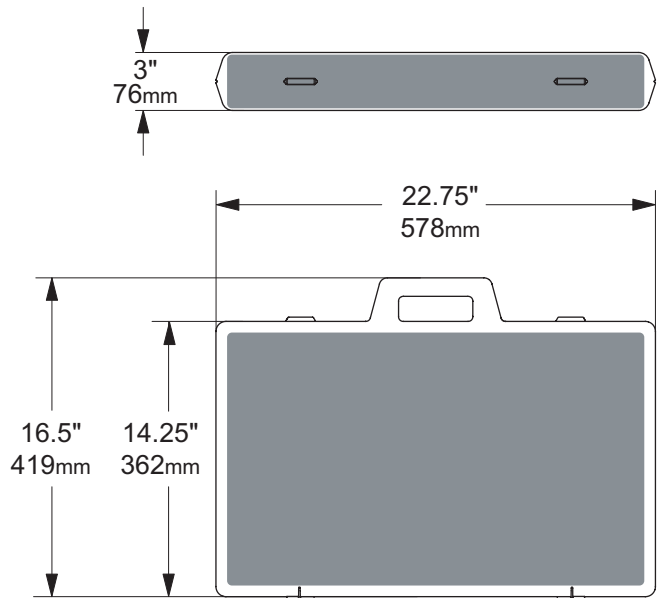
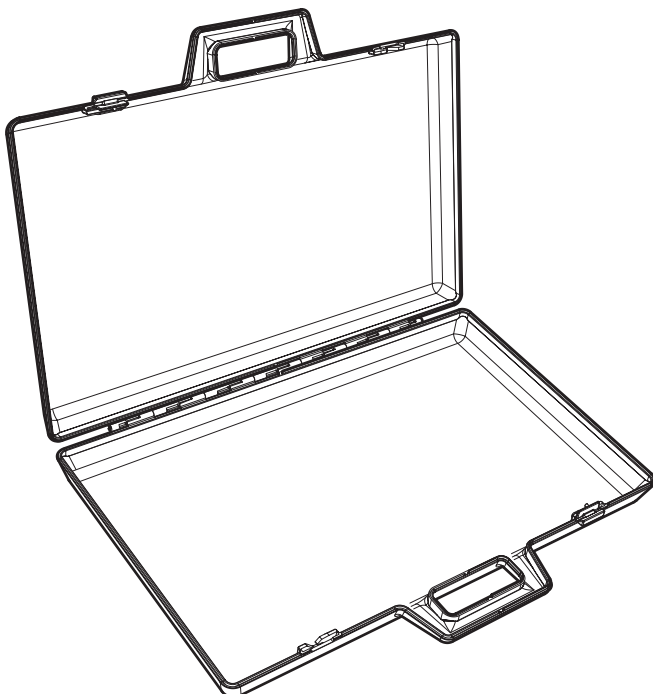
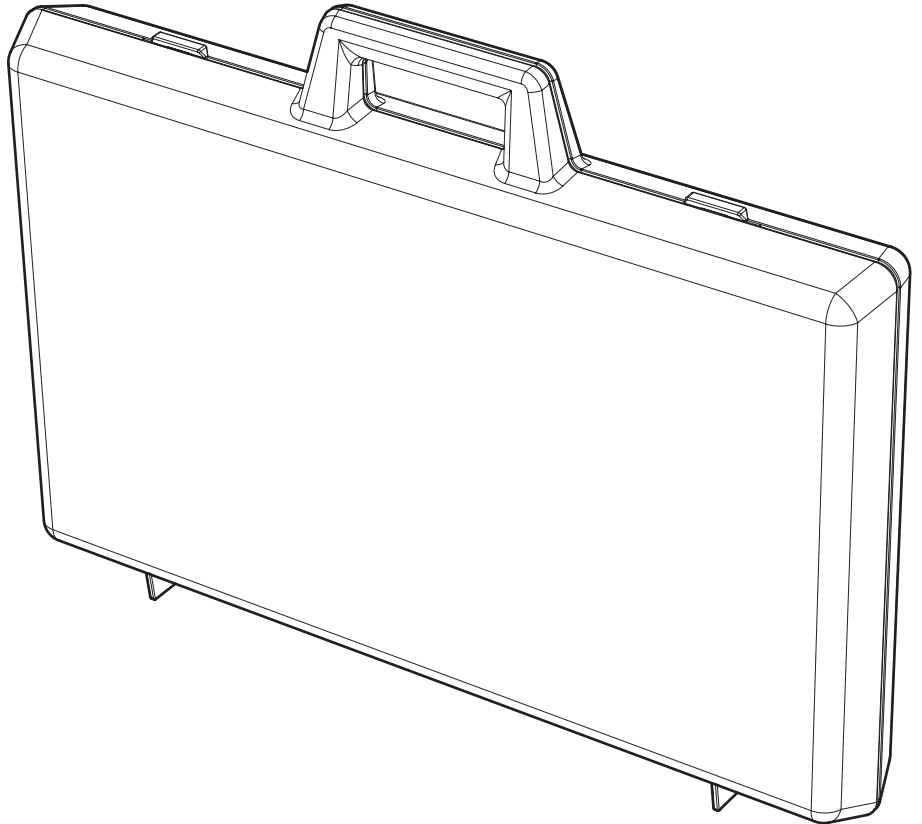


Standard features:

- rugged polypropylene construction
- sturdy nylon latches (2)
- full length metal core hinge

Technical specifications:

- Country of origin:** Canada
- Material:** polypropylene
- Unit weight:** 3lb (1.36 kg)
- Qty per pack:** 6
- Pack weight:** 22 lbs (10 kg)
- Pack volume:** 4.71 cu. ft (0.133 m³)
- Colors available:** 001-Black
002-White
003-Frost
035-Blue
038-Red
050-Mercury
058-Graphite
065-Navy
067-Forest



interior net usable space =