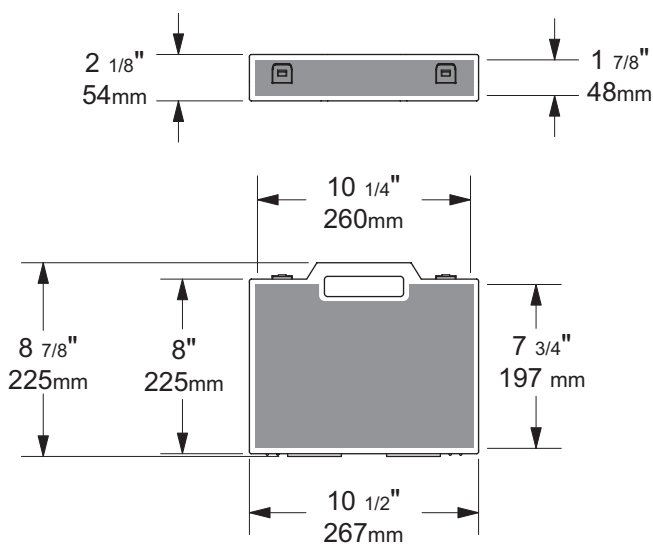
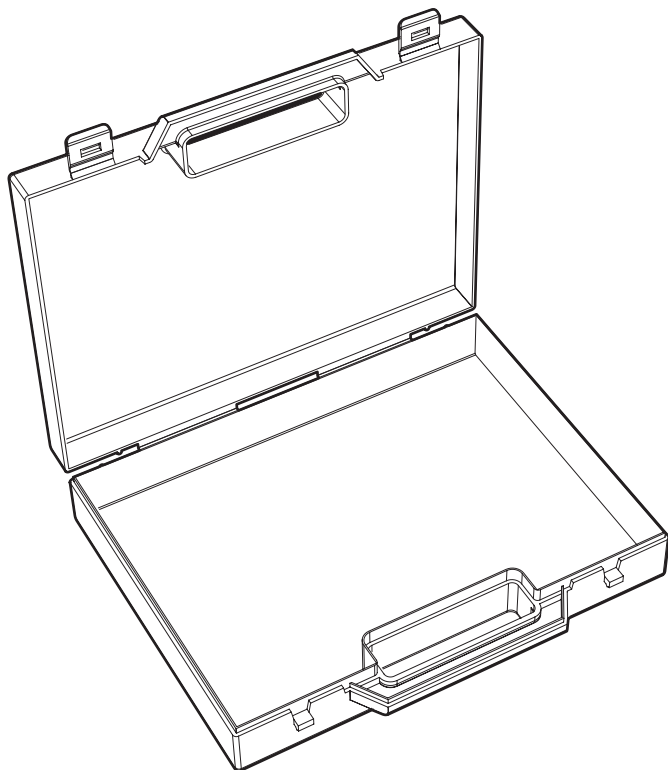
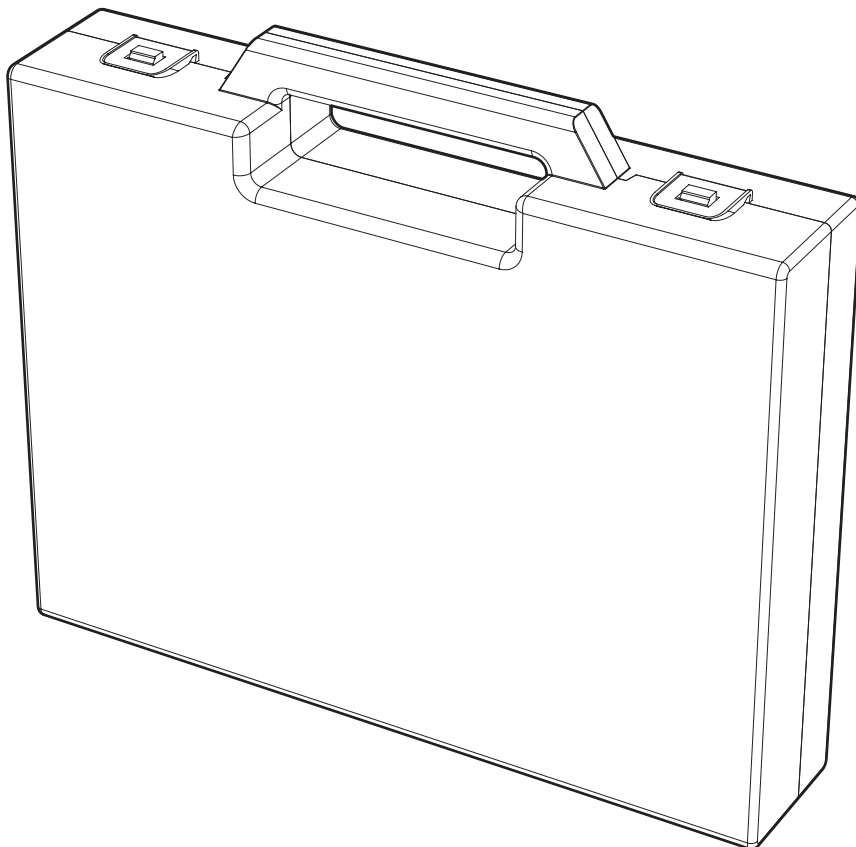


Standard features:

- durable living hinge latches and main hinge

Technical specifications:

- Material:** polypropylene
- Unit weight:** 0.77 lbs (0.35 kg)
- Qty per pack:** 36 units
- Pack weight:** 29 lbs (13.18 kg)
- Pack volume:** 5.6 cu. ft (0.159 m³)
- Colors available:** 001-Black
002-White
035-Blue
036-Yellow
038-Red
050-Mercury



interior net usable space =