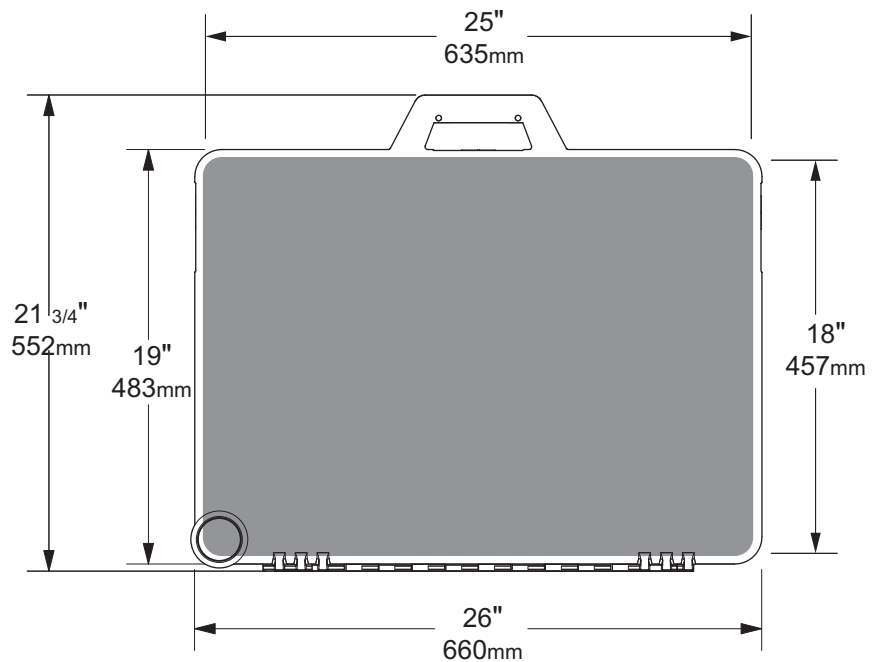
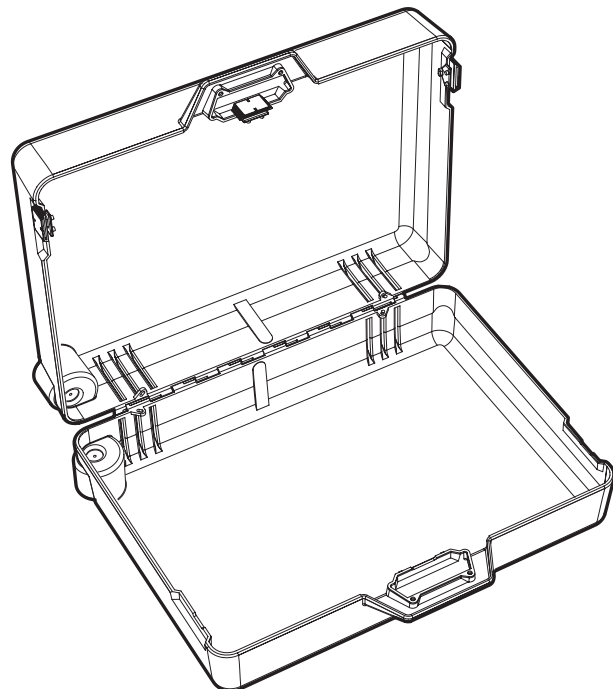
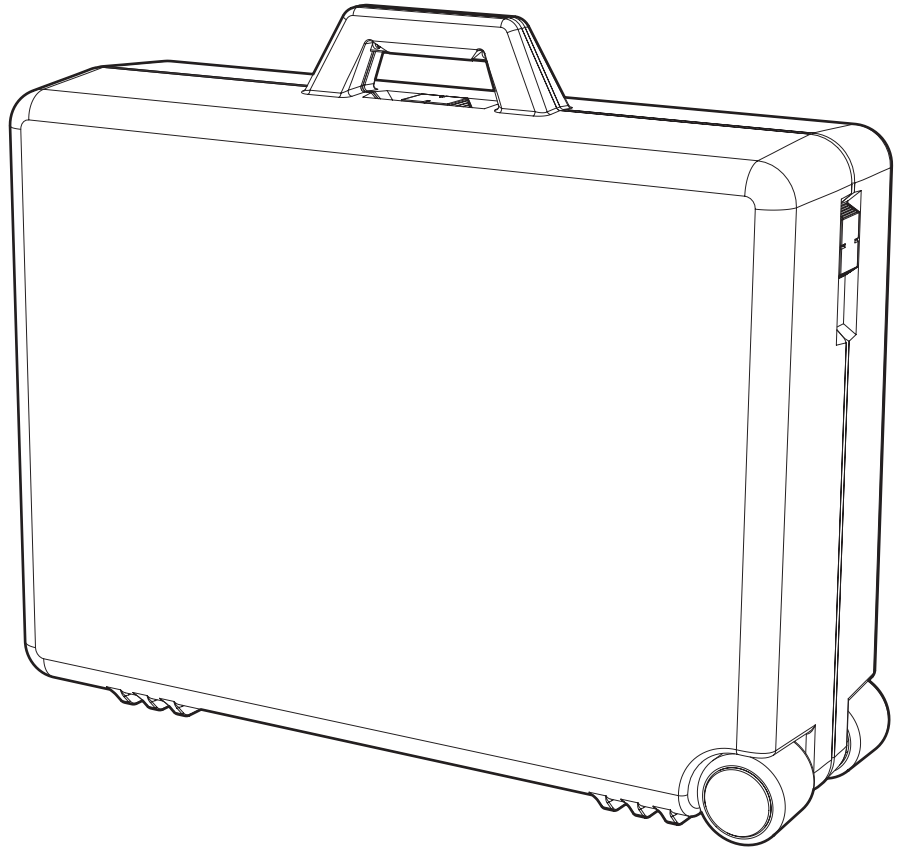


Standard features:

- metal core hinge
- padlockable handle
- recessed nylon latches (3)
- bungee-cord retainers (4)
- wide-track integrated casters (2)
- removable nylon pull handle

Technical specifications:

Material:	polypropylene
Unit weight:	10.34 lbs (4.70 kg)
Qty per pack:	1 unit
Pack weight:	12.25 lbs (5.57 kg)
Pack volume:	2.55 cu. ft (0.072 m ³)
Colors available:	001-Black 058-Graphite



interior net usable space =