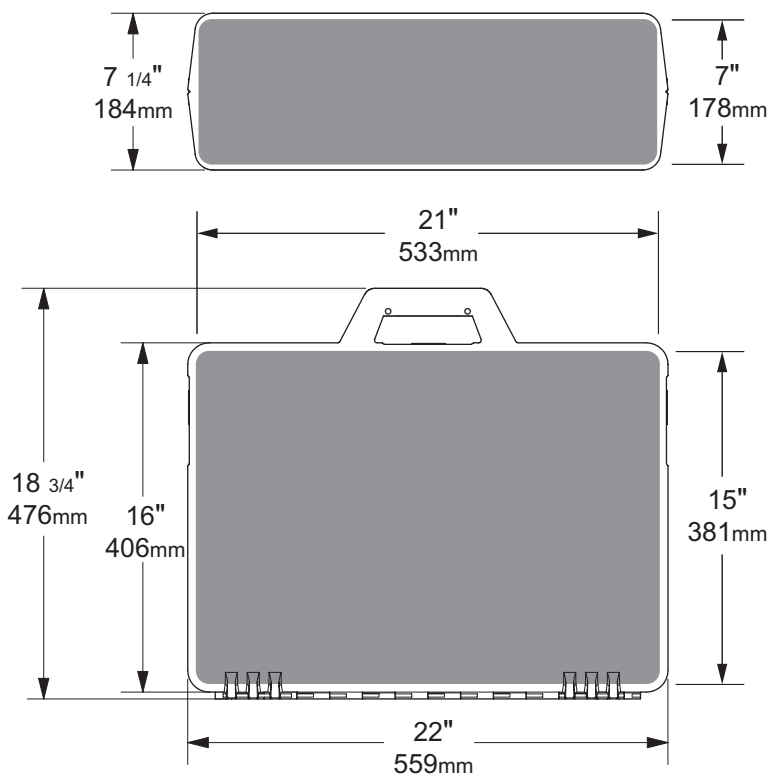
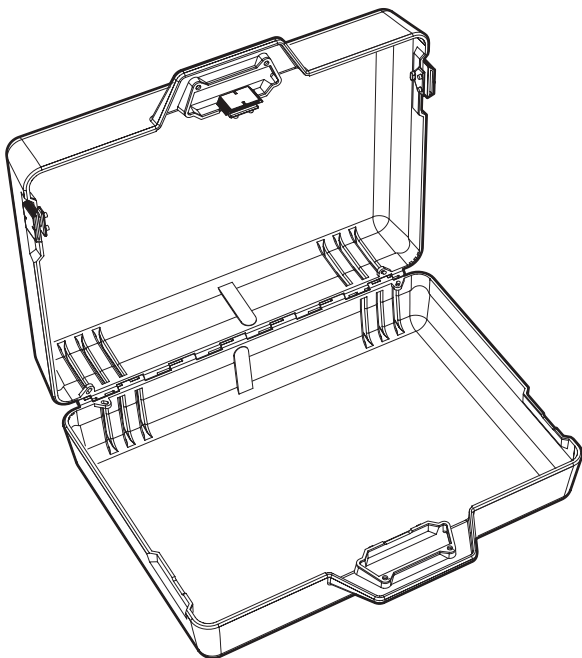
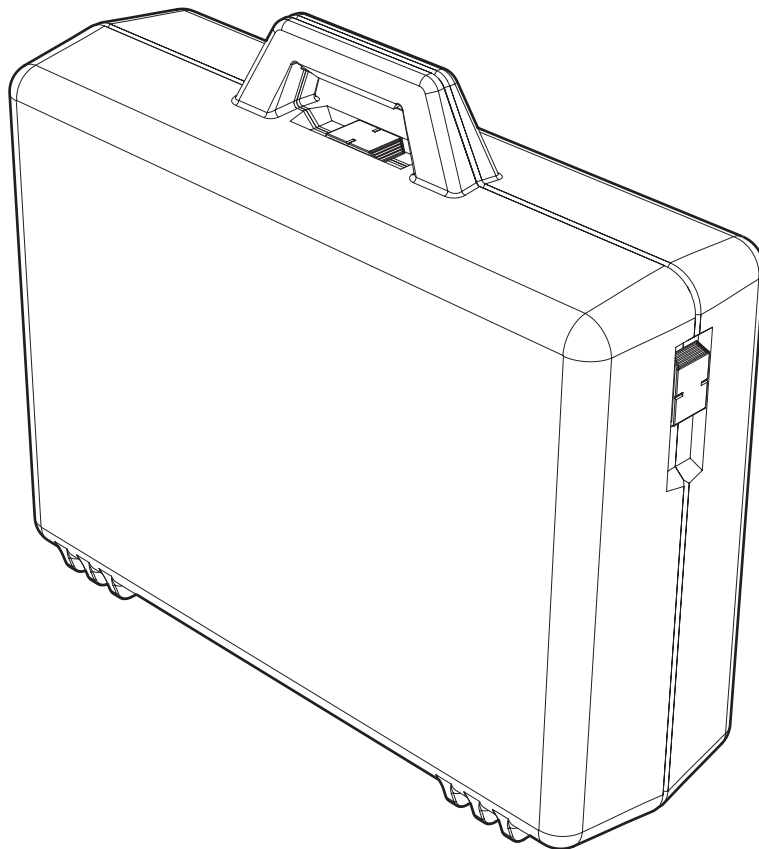


Standard features:

- metal core hinge
- padlockable handle
- recessed nylon latches (2)
- bungee-cord retainers (4)

Technical specifications:

Material:	polypropylene
Unit weight:	7.13 lbs (3.24 kg)
Qty per pack:	1 unit
Pack weight:	9 lbs (4.1 kg)
Pack volume:	2.0 cu. ft (0.057 m ³)
Colors available:	001-Black 050-Mercury 058-Graphite



interior net usable space =