

Standard features:

- full length metal core hinge
- padlockable handle
- recessed nylon latches (2)

Technical specifications:

Country of origin:

Material: polypropylene

Unit weight: 5.59 lbs (2.53 kg)

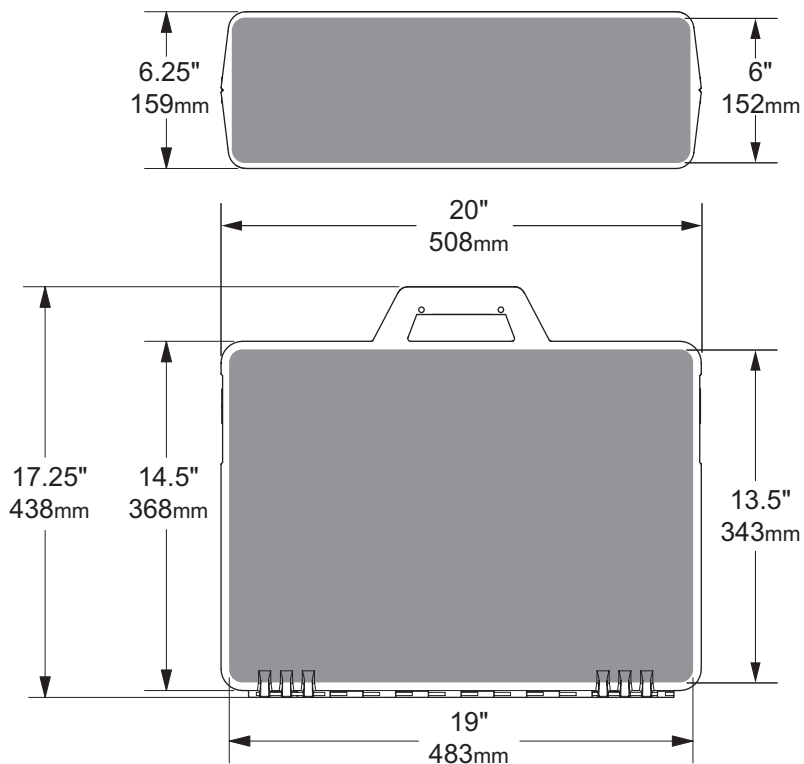
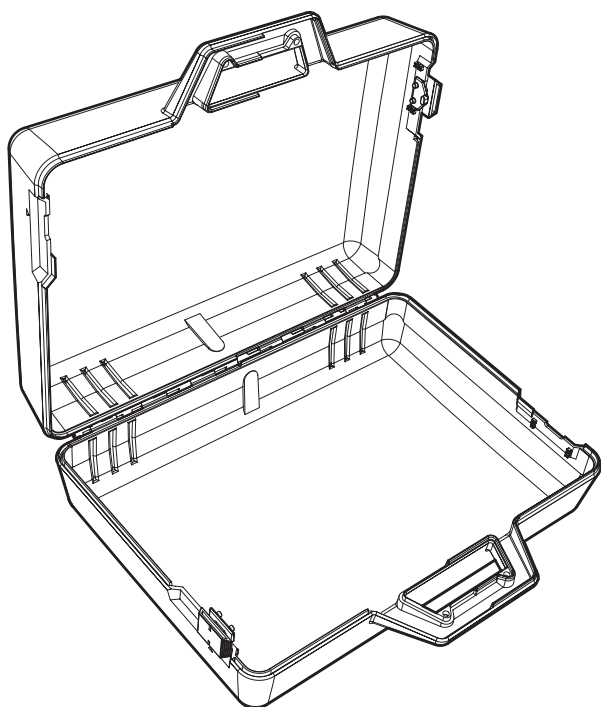
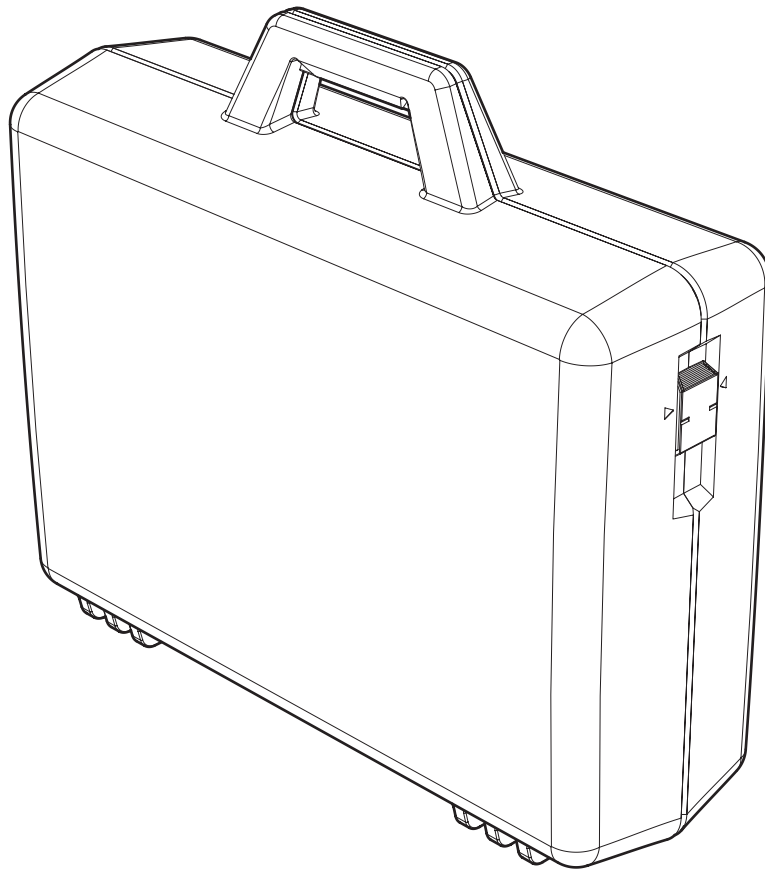
Qty per pack: 1 unit

Pack weight: 6.75 lbs (3.06 kg)

Master Pack volume: 1.43 cu. ft (0.04 m³)

Pallette volume: 85.5 cu. ft (2.42 m³)

Colors available: 001-Black
035-Blue
050-Mercury
058-Graphite
065-Navy



interior net usable space =