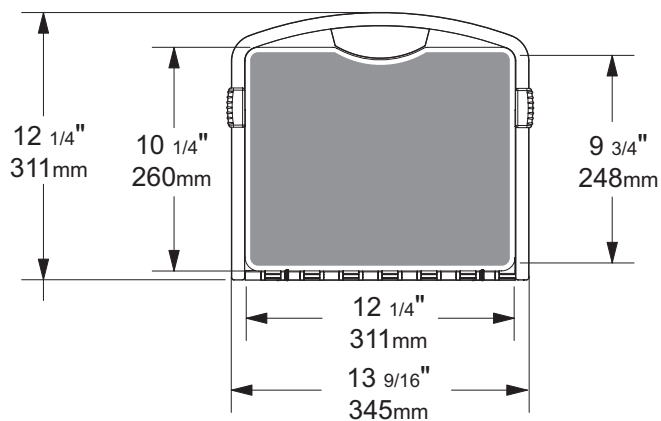
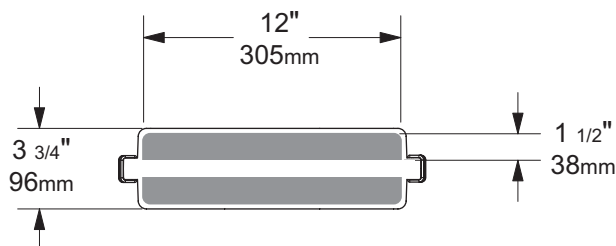
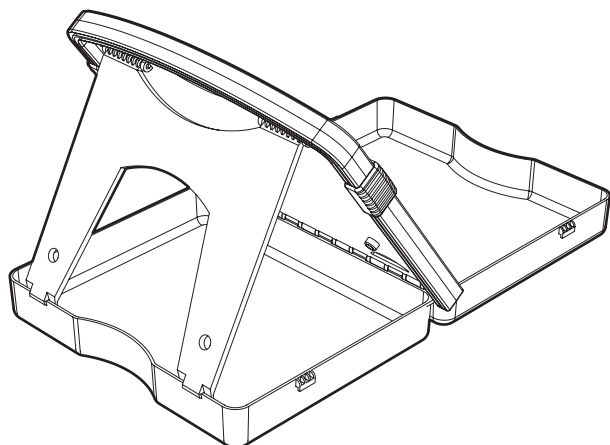
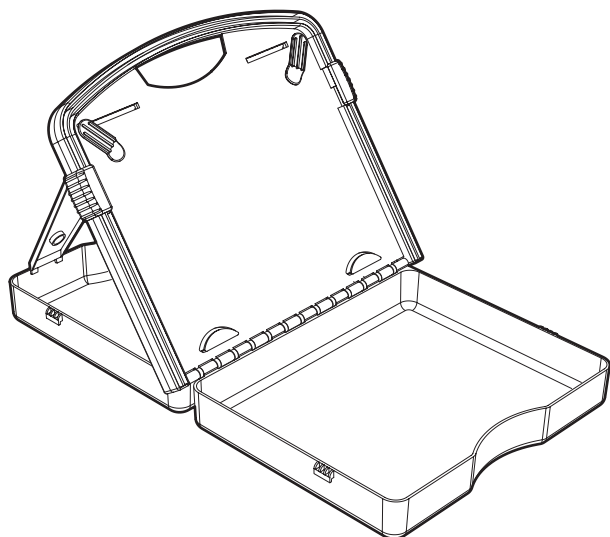


**Standard features:**

- built-in prop-up easel with art clips (2)
- sturdy polystyrene handle and latches (2)

**Technical specifications:**

<b>Material:</b>	polypropylene, polystyrene
<b>Unit weight:</b>	2.31 lbs (1.05 kg)
<b>Qty per pack:</b>	12 units
<b>Pack weight:</b>	34 lbs (15.4 kg)
<b>Pack volume:</b>	5.6 cu. ft (0.159 m <sup>3</sup> )
<b>Colors available:</b>	037-Green 055-Violet



interior net usable space =